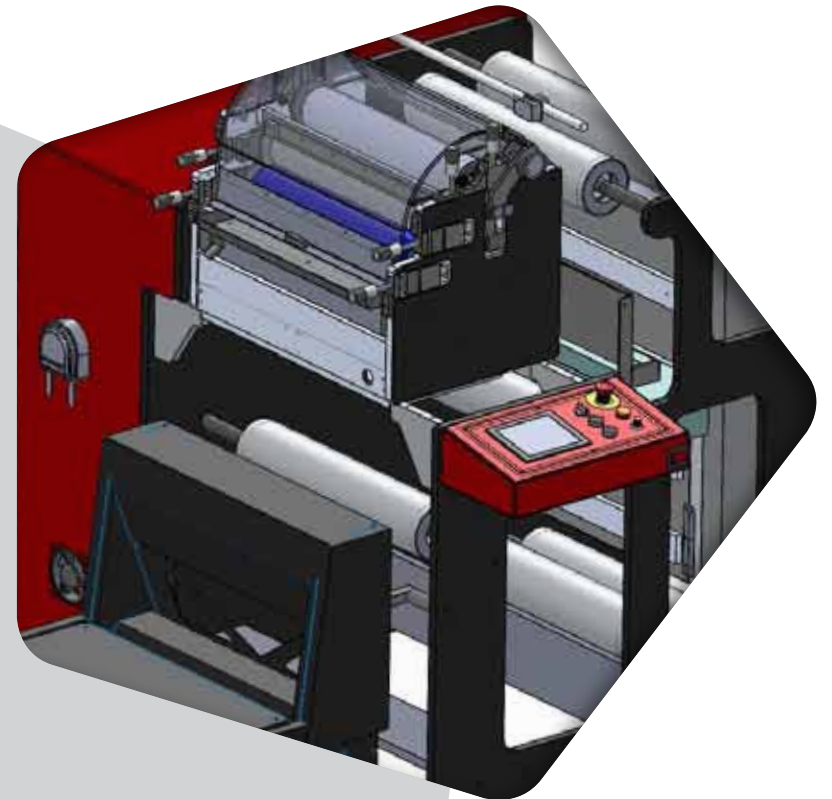
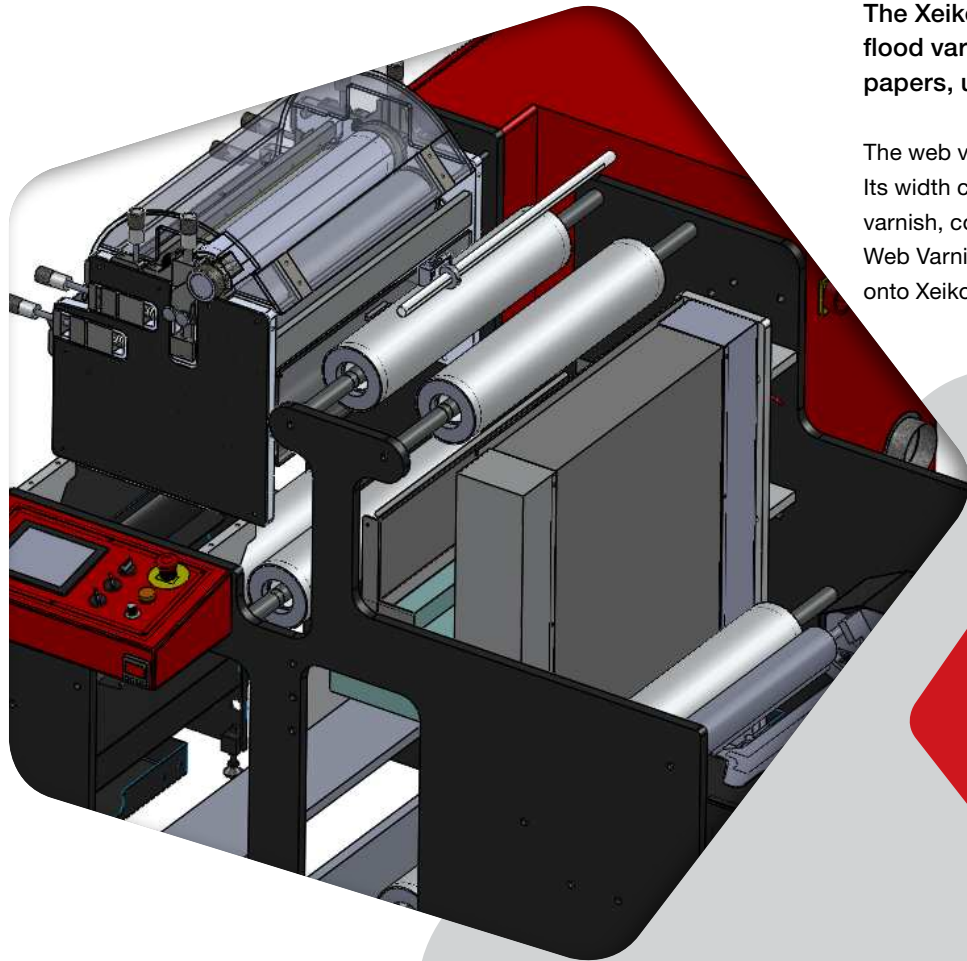


XEIKON FINISHING WEB VARNISHING MODULE

The Xeikon Web Varnishing Module is a compact unit that can apply UV or aqueous flood varnish on a wide range of substrates including self-adhesive label materials, coated papers, unsupported films and coated paper board.

The web varnishing module always runs in-line with a Xeikon 3000 or Xeikon 8000 Series press or Xeikon CX3. Its width can be adapted to the web width by easily changing the print roller. Options available include spot varnish, corona treatment and different output options such as rewinding, stacking or jogging. The Xeikon Web Varnishing Module offers a cost effective and compact way of applying a coating in-line with the press onto Xeikon print.



XEIKON FINISHING

All of Xeikon's finishing products are designed to meet the needs and requirements of the markets that Xeikon printing presses are built for.

Key benefits include:

- All products are carefully designed, tested and proven
- Perfect combination of versatility, quality and productivity
- Perfectly adapted to work seamlessly with the Xeikon printing presses
- Adapted to handle a broad range of substrates
- Serviced by dedicated Xeikon engineers
- Options available to accommodate for specific market needs



Xeikon International BV

T. +31 (0)117 37 50 20 - F. +31 (0)117 37 50 21
 Brieversstraat 70 - 4529 GZ Eede - the Netherlands
www.xeikon.com - info@xeikon.com

X_FINWVM_EN_Sep2015 - Copyright © 2015 Xeikon International BV. All rights reserved.

All trademarks are property of their respective owners. PANTONE® is the property of Pantone, Inc. No parts of this brochure may be reproduced, copied, adapted, translated or transmitted in any form or by any means, without prior written permission from Xeikon International BV.

The material in this brochure is for informational purposes only and is subject to change without prior notice. No responsibility or liability is assumed by Xeikon International BV for any errors, which may appear in this brochure.

WEB VARNISHING MODULE

Technical specifications		WVM - UV	WVM - AQ
Web width		200 mm - 516 mm (7.9" - 20.3")	
Application		Single side coating (X-side of xeikon press)	
Substrate type		SA label material, coated paper unsupported film (PP, BOPP and IML) Coated paper board, (wax) paper	
Substrate thickness		40 µ - 550 µ	
Speed		Matches Xeikon Press speed (Xeikon X000 Series)	
Roll diameter		support rollers Ø 120 mm (3.5")	
Varnishing station			
Varnish pump		Standard	
Flexo station		Flood varnish, 3 roller flexo concept	
Print roller		standard Ø 97,2 mm (3.83") width 510 mm (20.08") SH40 other widths available on request	
Anilox roller		standard 120 l/cm - 10 cm ² /m ² (47.2 LPI - 6.4 BCM) other available on request	
Curing station		UV Curing air-cooled adjustable intensity (15 - 100%) 6 kW - max. 120 W/cm (47.2 W/inch)	Hot Air dryer 11.8 kW - 140 m ² /hr Adjustable temperature
Options		WVM - UV	WVM - AQ
Cutter		Xeikon Cutter adjustable in height depending on the output device	
Output options		PMR and PMR Large	
		Xeikon stacker (cutter option mandatory)	
		Pile high stacker (cutter option mandatory)	
		Jogger (cutter option mandatory)	
		Bograma	
		Waste Separator	
UV Curing		NA	Optional (uses the same flexo station)
Hot Air Curing		Optional (uses the same flexo station)	NA
Closed Chamber system		Optional (advised for aqueous varnishes)	
Corona Treatment		Optional (advised for TTR or Inprintable varnishes) 2000 W Vetaphone	
Spot varnish		Full rotary - print roller needs to be changed for different repeat Sleeve system, print roller set. Repeat length 254 mm (10") - 1000 mm (39.4")	
Technical info		WVM - UV	WVM - AQ
Dimensions	Length	From exit Xeikon. No output : 2679 mm (105.5"), Low output : 3560 mm (140.2"), High Outout : 3360 mm (132.3")	
	Width	AQ : 1961.5 mm (77.2"), UV : 1551.5 mm (61.1")	
	Height	1656 mm (65.2")	
	Weight	TBD	
Power requirements		Universal 3 phase 3x380-415 V + PE, 32 A, 50-60 Hz	
Air Supply		5-6 Bar 100/h Dry, water and oil free air	
Air Extraction		UV Ø 100 mm: 800 m ³ /hr, Corona Ø 90 mm: 800 m ³ /hr, Hot Air Ø 100 mm: 120 m ³ /hr	

direct. dedicated. digital.